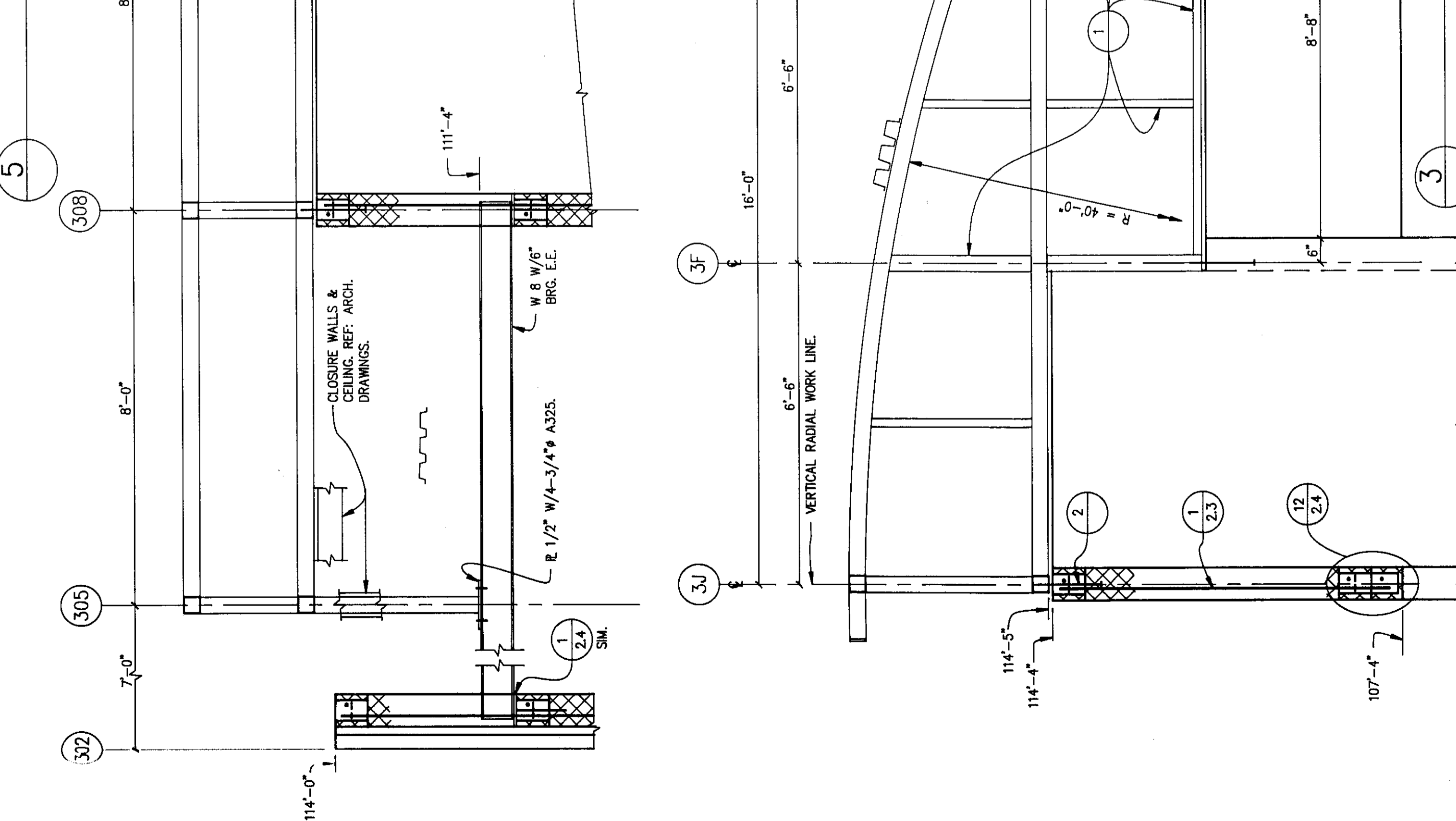
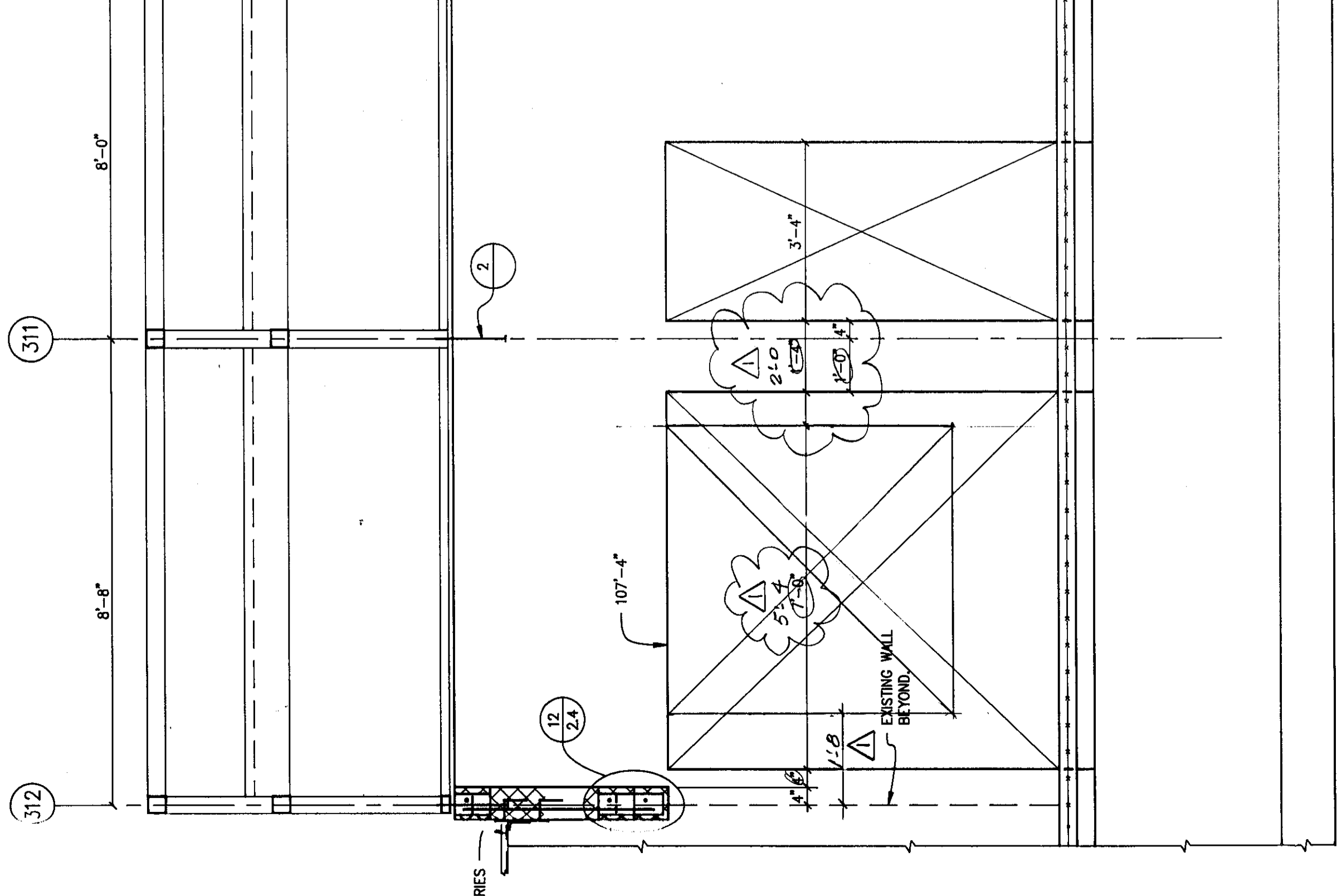
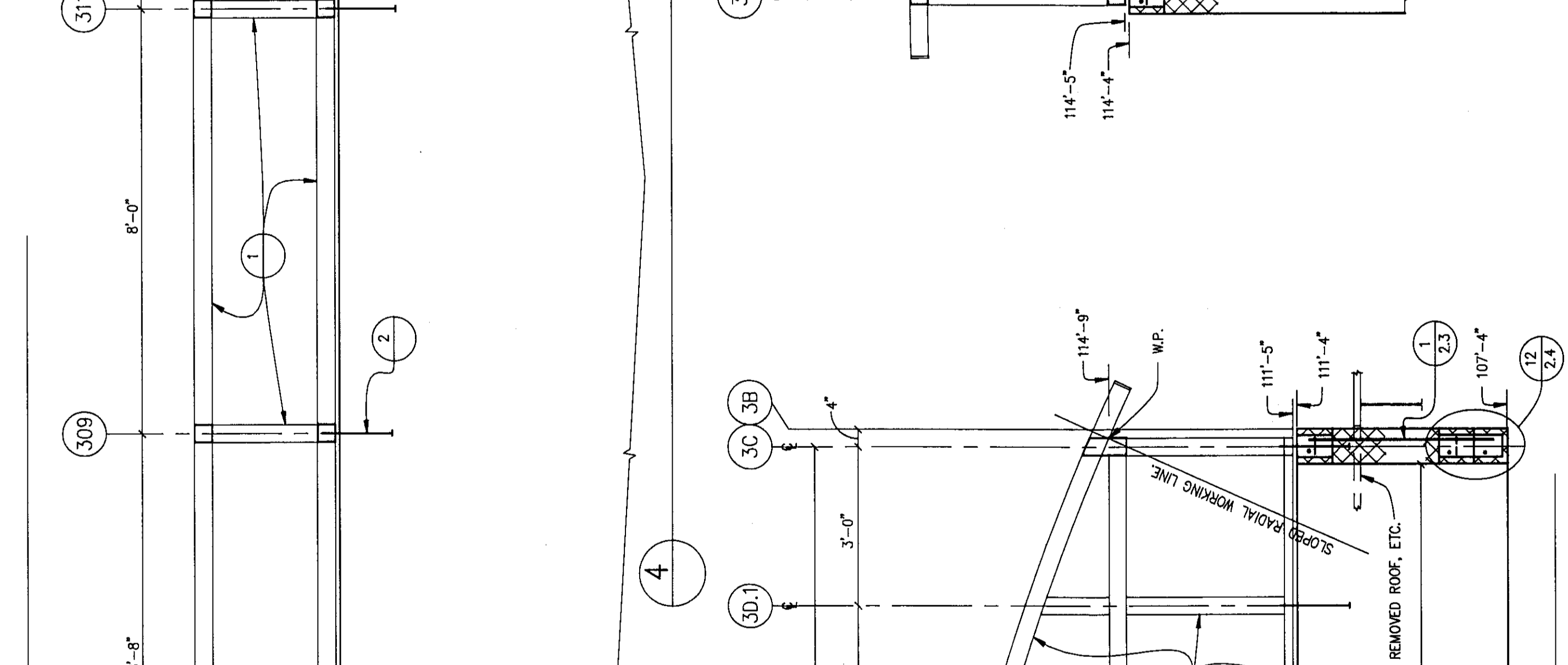
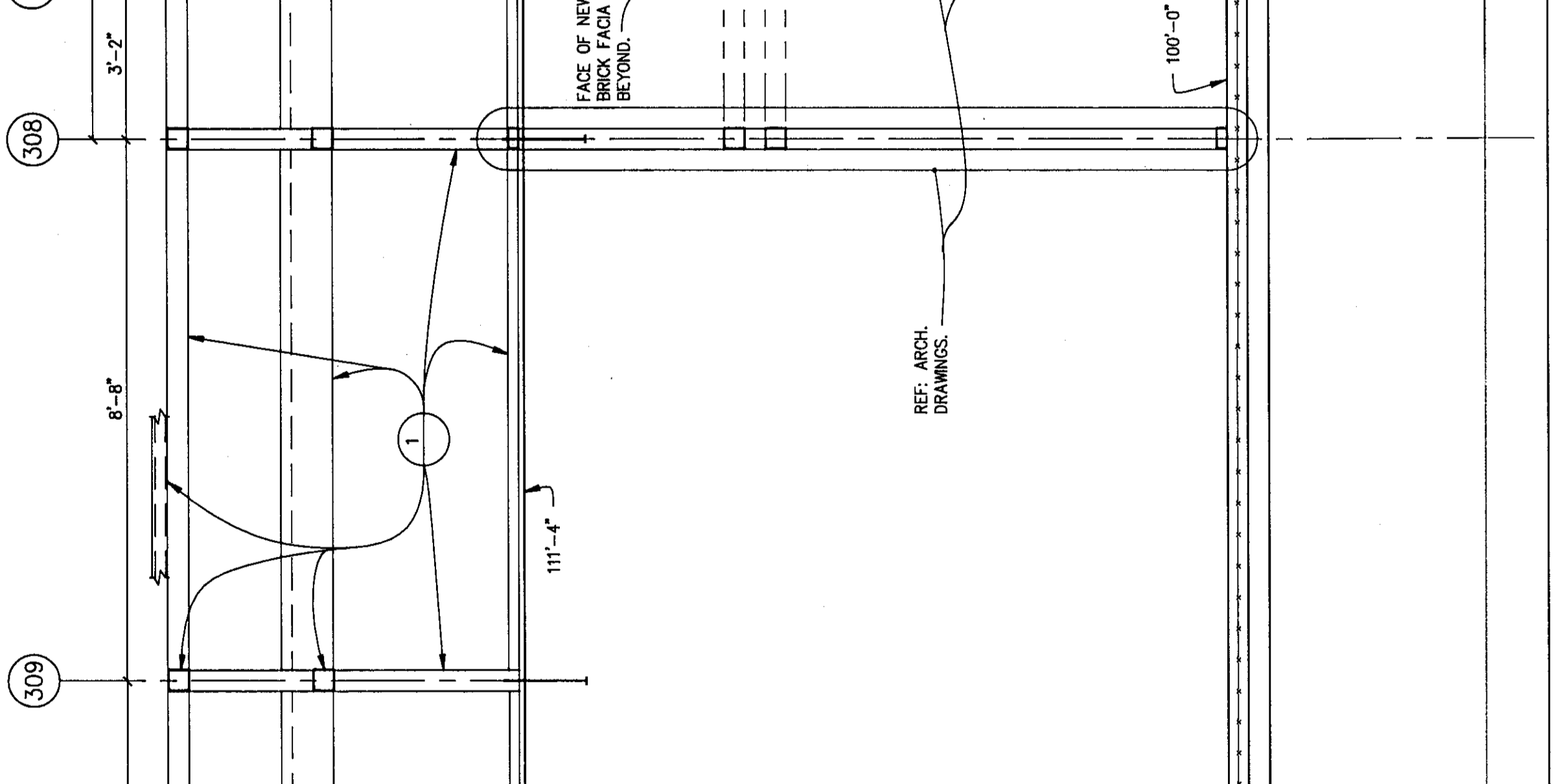
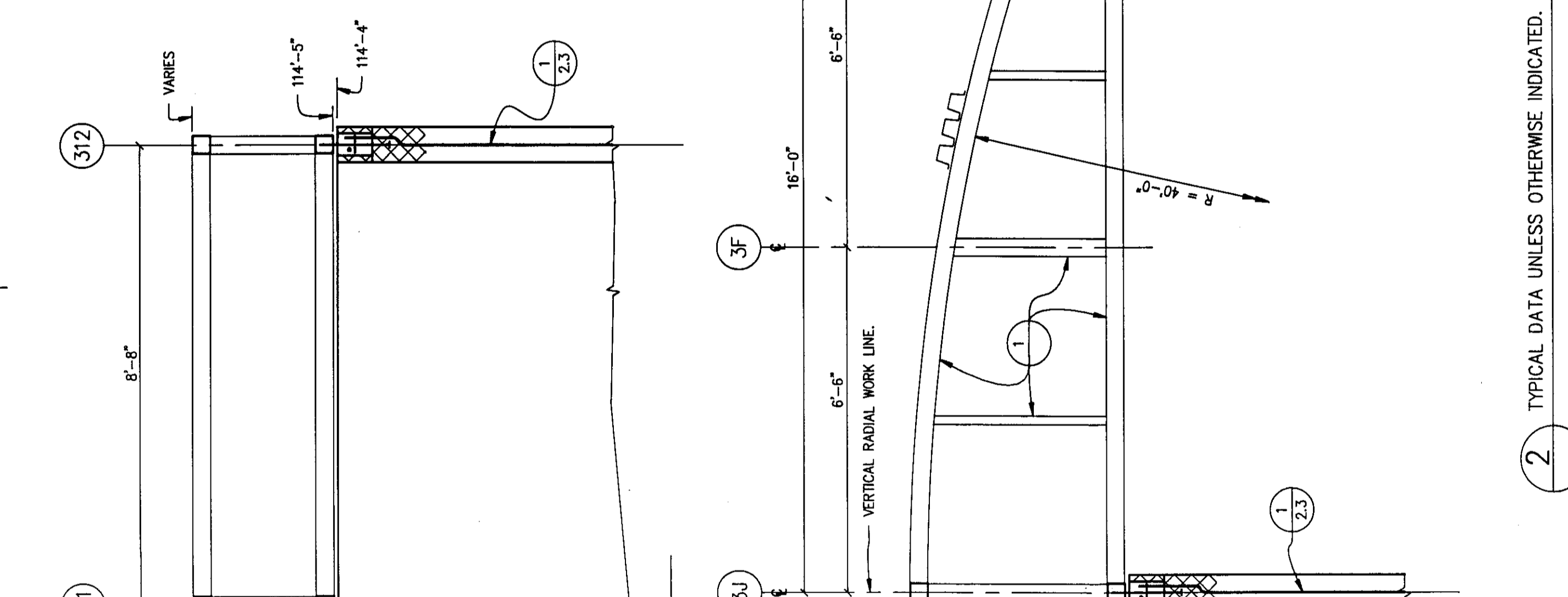
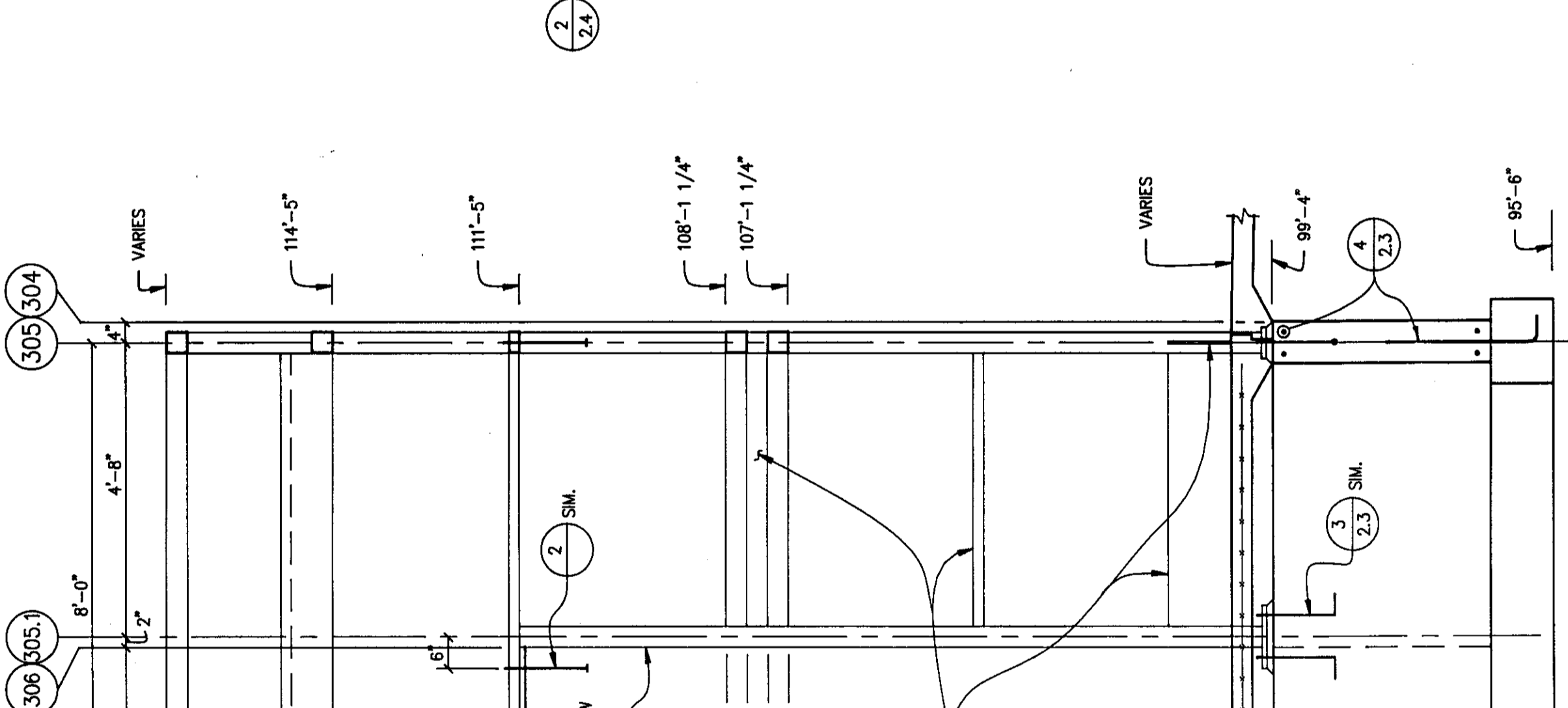
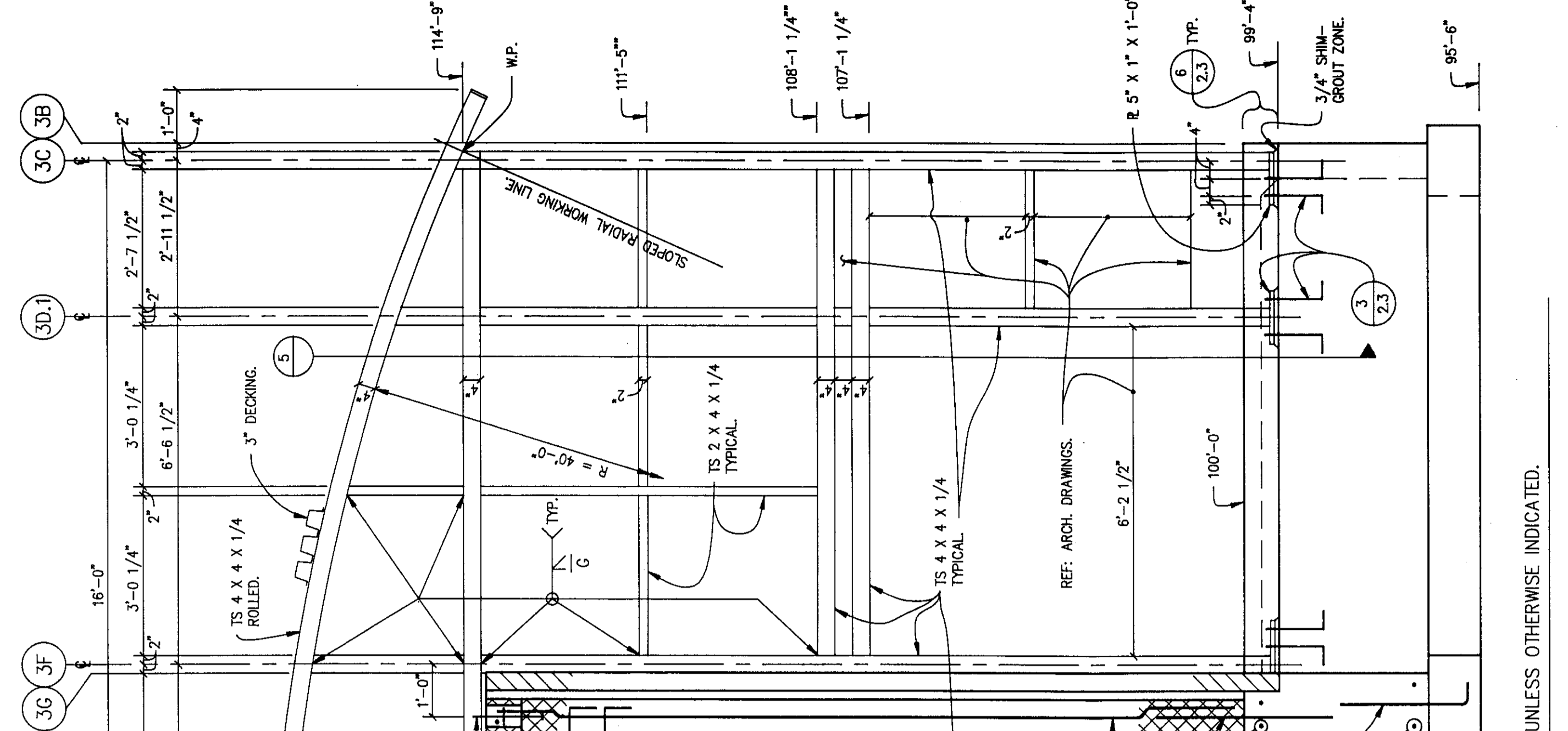
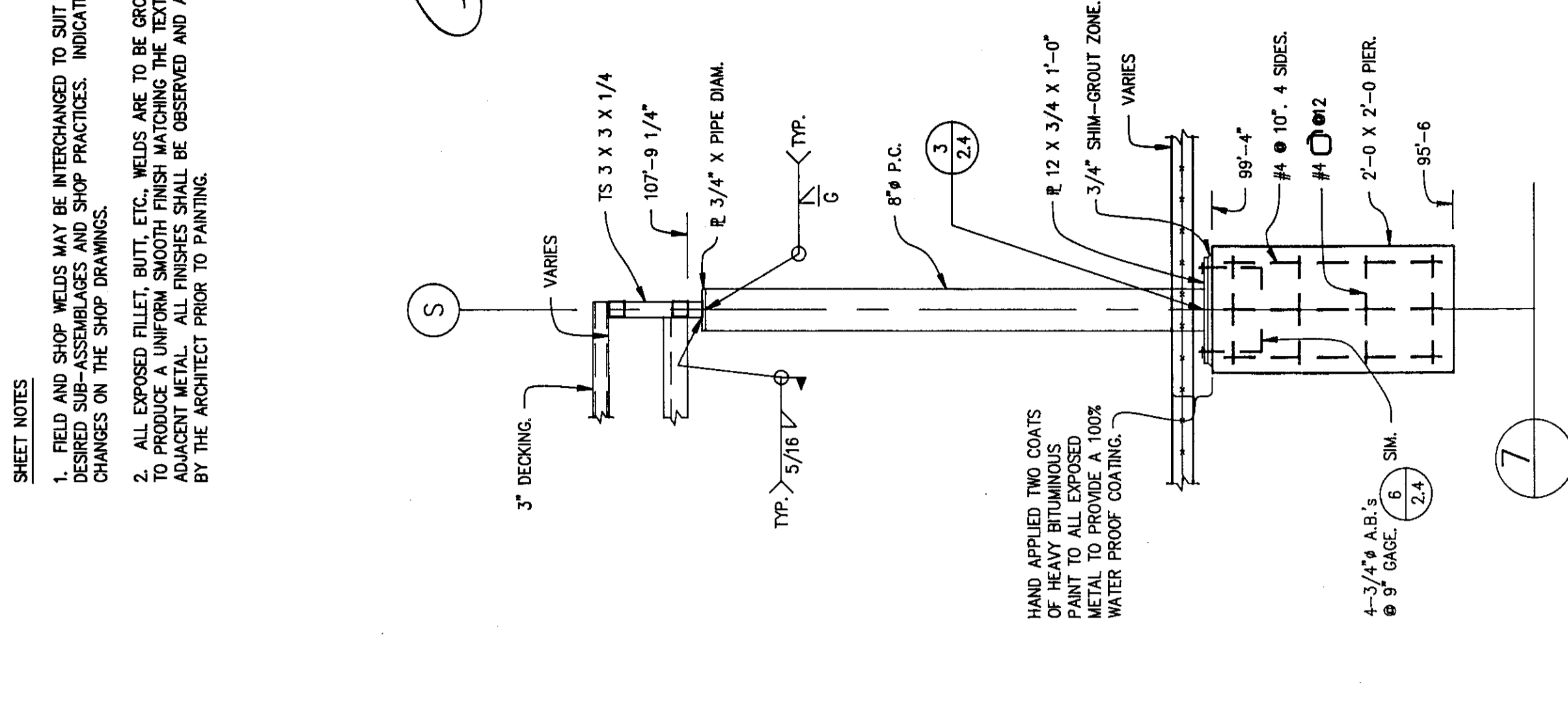
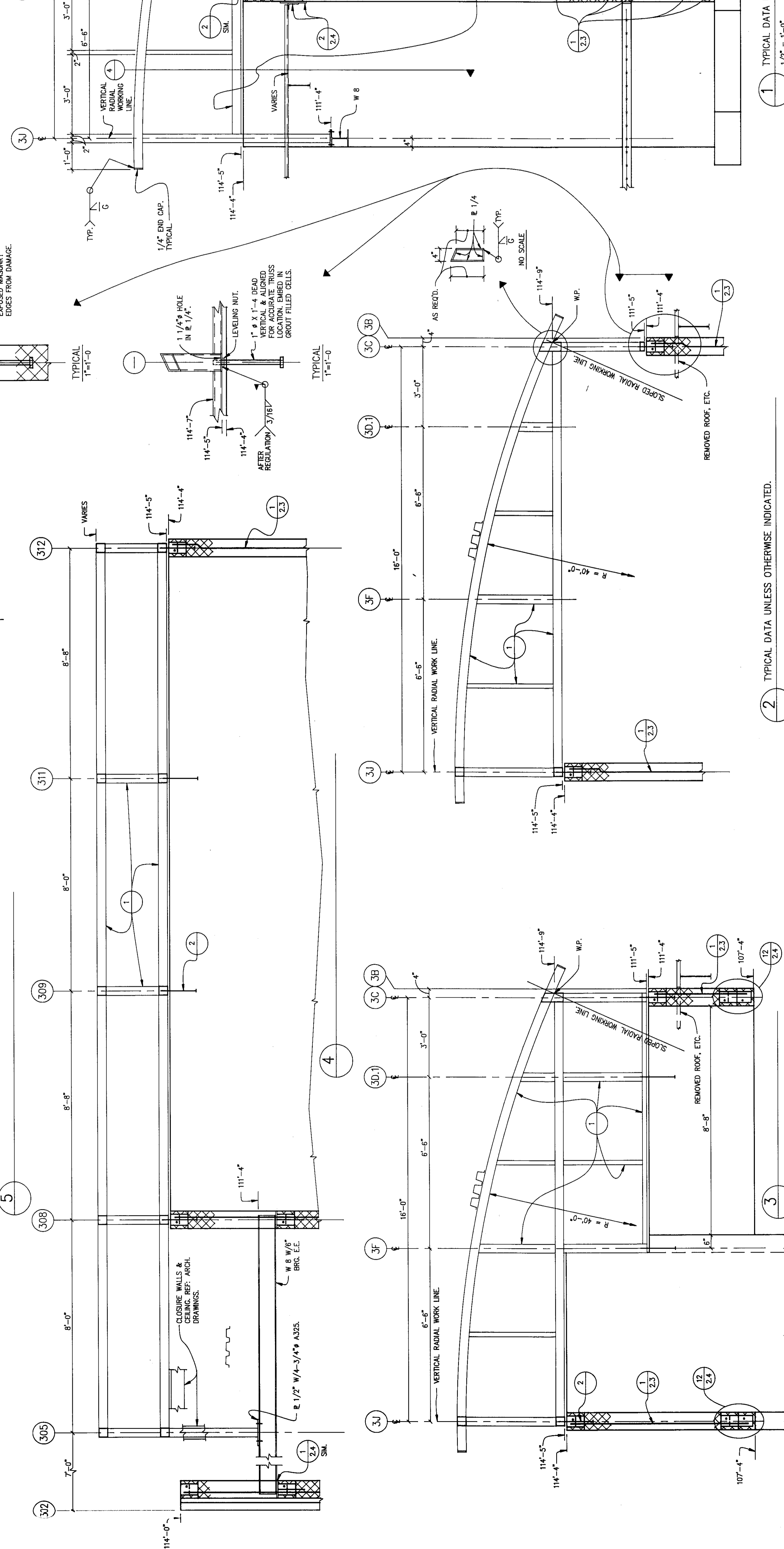
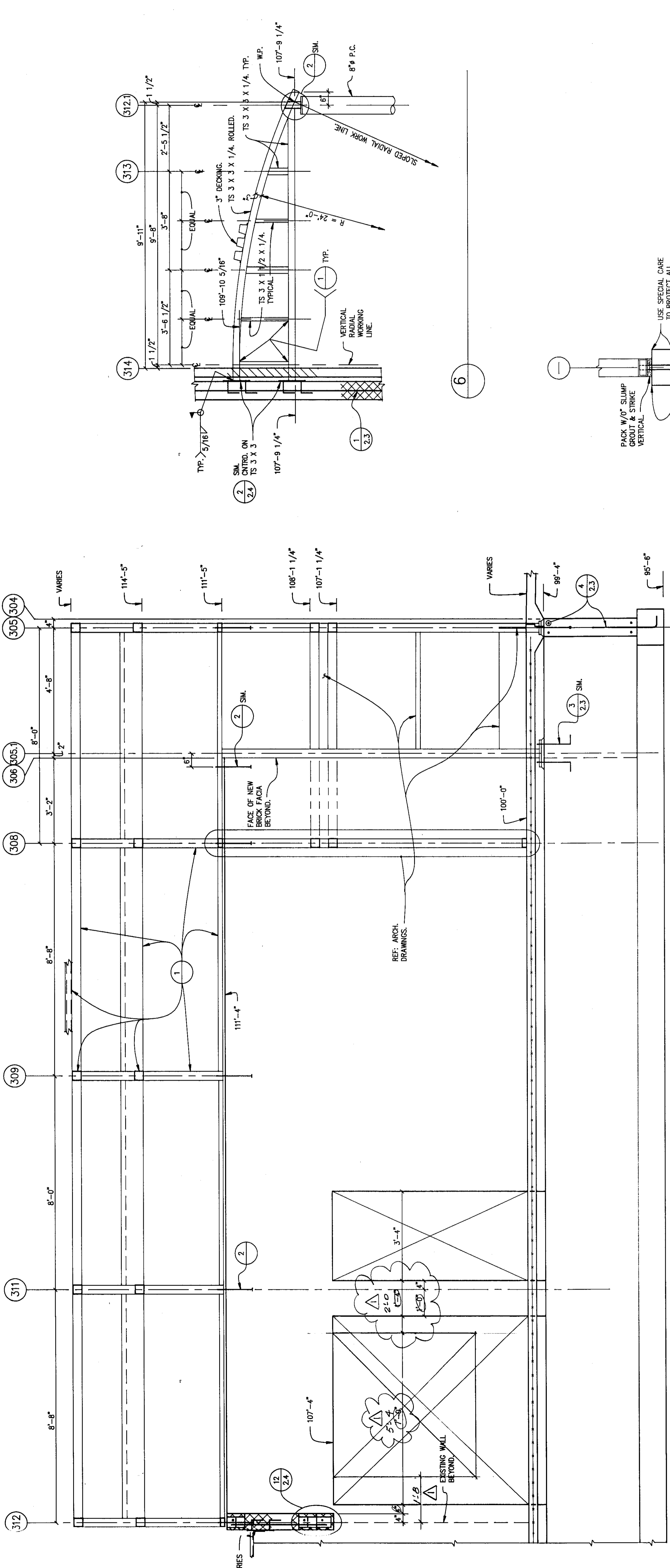


**SHEET NOTES**

1. FIELD AND SHOP WELDS MAY BE INTERCHANGED TO SUIT FABRICATORS DESIRED SUB-ASSEMBLAGES AND SHOP PRACTICES. INDICATE ALL SUCH CHANGES ON THE SHOP DRAWINGS.
2. ALL EXPOSED FILET, BUTT, ETC., WELDS ARE TO BE GRIND SMOOTH TO REMOVE ALL SPATTER AND TO BE CLEANED TO REMOVE ALL OXIDE. THE ALLOWABLE METAL ALL FINISHES SHALL BE OBSERVED AND ACCEPTED BY THE ARCHITECT PRIOR TO PAINTING.

THIS RECORD DRAWING HAS BEEN PREPARED BASED ON INFORMATION FURNISHED BY THE ARCHITECT. THE ARCHITECT IS BELIEVED TO BE RELIABLE. FOR DESIGN PROFESSIONAL CANNOT BE HELD RESPONSIBLE FOR THE ACCURACY OF THIS DRAWING. ANY ERRORS OR OMISSIONS WHICH MAY HAVE BEEN MADE IN THIS DRAWING ARE THE RESPONSIBILITY OF THE ARCHITECT. THE ARCHITECT'S OFFICE SHALL BE ADVISED OF ANY SUCH ERRORS OR OMISSIONS AS SOON AS POSSIBLE. THE ARCHITECT'S OFFICE SHALL BE ADVISED OF ANY SUCH ERRORS OR OMISSIONS AS SOON AS POSSIBLE. THE ARCHITECT'S OFFICE SHALL BE ADVISED OF ANY SUCH ERRORS OR OMISSIONS AS SOON AS POSSIBLE.



**POUDRE SCHOOL DISTRICT R-1**  
**CACHE LA Poudre ELEMENTARY**  
**ADDITION & REMODEL**  
**FT. COLLINS, COLORADO**

Russell M. Miller  
 Consulting Engineers  
 123 S. Sherman  
 Fort Collins, CO 80521

**RBB**

**JOB NUMBER**  
 919  
**DRAWN**  
 CB / L6  
**CHECKED**  
 RMM / GAG  
**ISSUE**  
 10/07/92  
**REVISIONS**  
 A3-BUILD-TS

**SHEET NAME**  
 DETAILS  
**SHEET NUMBER**  
 25

25

1 TYPICAL DATA UNLESS OTHERWISE INDICATED. 1/7" = 1'-0"

2 TYPICAL DATA UNLESS OTHERWISE INDICATED.